

ILLuminec **Led**



**II 2 G Ex de
IIC T5 Gb**



Explosion Proof Light

ISO 9001:2015 ISO 14001:2015



RoHS compliant



LM 79

LM 80

TM 21



Explosion Proof Light

With ATEX certified, our explosion proof light fixture can be widely used for place of flammable and explosive chemical materials. Cree brand led and meanwell driver are used to guarantee saftety and long lifespan. We give 5 years warranty

Cree led, Meanwell Driver
120lm/w
5 years warranty



 **II 2 G Ex de IIC T5 Gb**

IP66

5 years warranty

Features

1. Increased safety type of explosion proof grade, 95-265V alternating current and 24V direct current for option;
2. Integrated type of tube, adopt SMD LED on aluminum base, make aluminum base completely attached to heat sink which composed of lamp body to make sure excellent heat dissipation, lead to long lifetime.
3. Adopt silicon encapsulated sealed power supply whose body made of aluminum alloy, put it inside of aluminum body and closed attached to heat sink to make sure heat dissipated from power supply.
4. Cover made of high quality PC which enjoy high-strength, impact resistant, hot resistant, corrosion-resistant.
5. Completely sealed to waterproof, dust-proof, corrosion-resistant.
6. Smart appearance, equip with two mounting brackets, it can be installed easily.

Standard

The drawings, technical documents and the samples are verified and certified according to stands for safety as below:

EN60079-0-2010 explosive atmospheres Part 1: Equipment-General requirements

EN60079-0-2010 explosive atmospheres Part 3: Equipment protection by increased safety "e"

EN60079-18-2004 Electrical apparatus for explosive gas atmosphere 9:Encapsulation

Features

Applied to oil fields, oil refineries, offshore oil platform, power plants, gas stations, oil tanks, wharf, tunnel, pumping station, substation, the military base,etc. Zone I and Zone II Hazardous Locations, Zone 20, Zone 21, Zone 22 and II A, IIB, IIC explosive gas atmosphere.

Mark

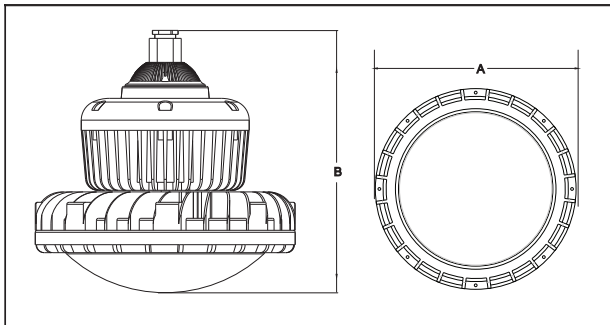
II 2 G Ex de IIC T5 Gb



Excel
Explosion-proof Series

Features

- Explosion proof aluminum housing
- High thermal conductivity
- With Cree led, initial efficiency 160lm/w
- Meanwell Driver, Efficiency>92%, 5 years warranty
- Low lumen decay, L70=50,000hours
- Long lifetime 50,000hours
- Impact test IK10
- Waterproof IP66
- Corrosion proof WF2
- Electrical: 85~305V, 50/60Hz
- CRI>70 (Ra80/90 for option)
- Surge protection: 6KV



Dimming & Sensor Options



Application

Flammable and explosive chemical materials
Factory, Parking and Storage



130lm/w

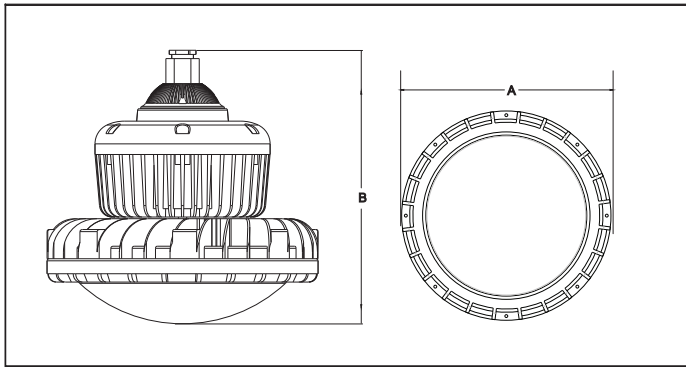
5 YEARS WARRANTY

Meanwell Driver

Cree LED

Model	Watt (W)	Voltage (V)	Lumen (lm)	CRI	Power factor	IP	IK	LED	A*B*C
EX-60W	60W	85~305V	7800	>70	>0.95	IP66	IK10	Cree	325*315
EX-80W	80W	85~305V	10400	>70	>0.95	IP66	IK10	Cree	325*315
EX-100W	100W	85~305V	13000	>70	>0.95	IP66	IK10	Cree	325*315
EX-120W	120W	85~305V	15600	>70	>0.95	IP66	IK10	Cree	325*315
EX-150W	150W	85~305V	19500	>70	>0.95	IP66	IK10	Cree	325*315

Packing



Model	A*B (mm)	Inner Carton(mm)			QTY / INNER CTN	Outer Carton(mm)			QTY / Outer CTN	NW/CTN	GW/CTN
EX-60W	325*315	/	/	/	/	330	330	365	1	8.7	11
EX-80W	325*315	/	/	/	/	330	330	365	1	9.1	12
EX-100W	325*315	/	/	/	/	330	330	365	1	9.1	12
EX-120W	325*315	/	/	/	/	330	330	365	1	9.5	12
EX-150W	325*315	/	/	/	/	330	330	365	1	9.5	12

Installation

